

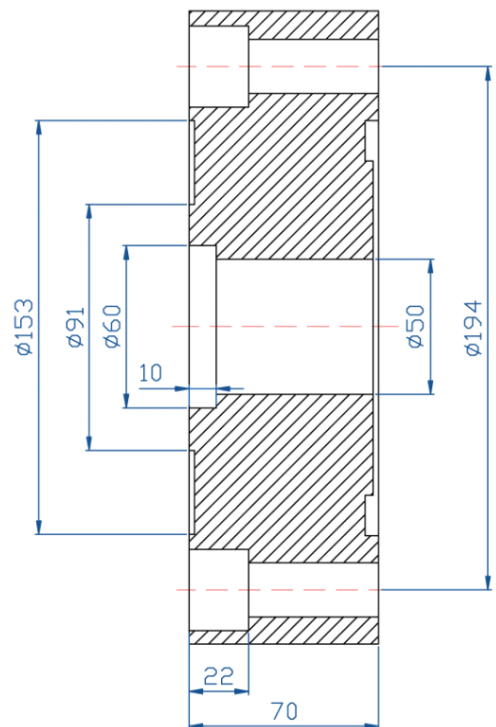
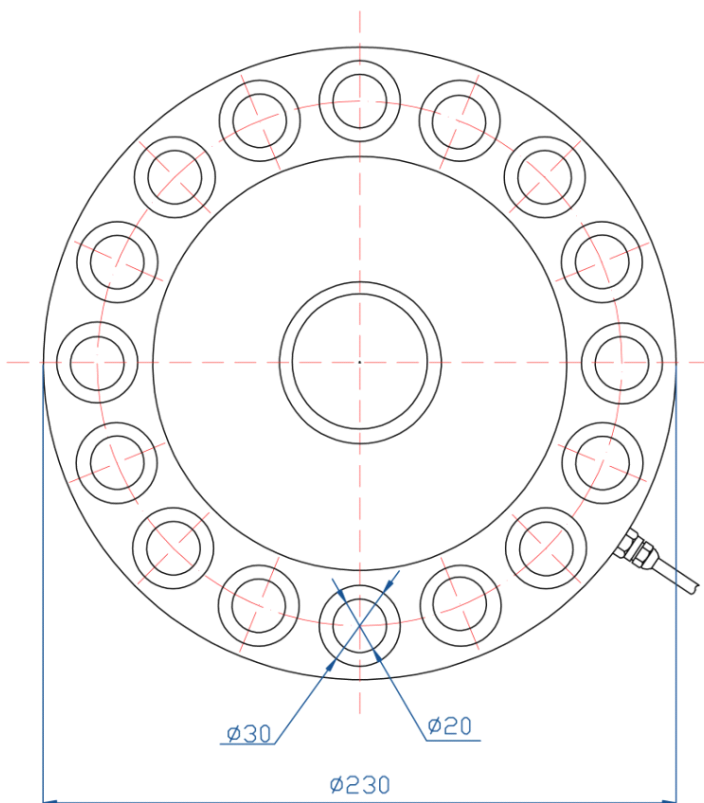
Features

主要特点

- Spoke type load cell
- Senior alloy steel
- High accuracy
- High stability
- Low profile
- Easy to install
- Protected against corrosion by nickelplated treatment
- Suitable for testing machine, dynamometer, etc.
- 轮辐式传感器
- 优质合金钢材质
- 高精度
- 高稳定性
- 低外形
- 小尺寸
- 安装简便、快速
- 表层镀镍防腐处理
- 适用于试验机、测力计等

Dimensions

尺寸

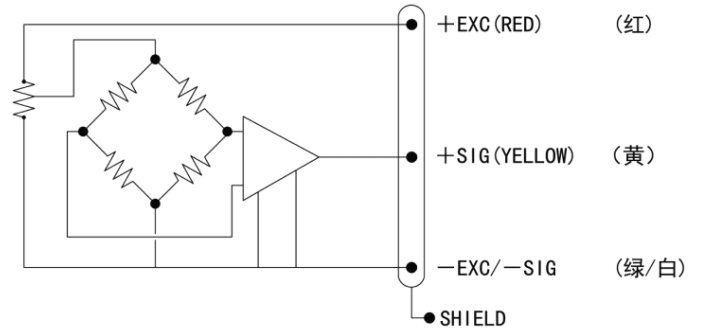
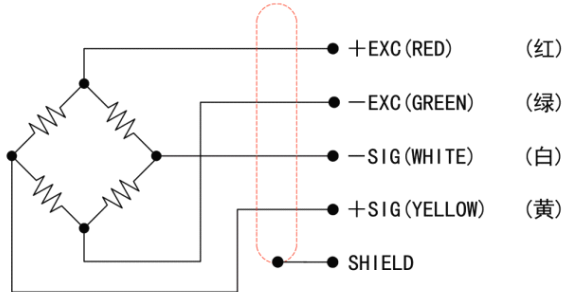


Schematic

接线方式

- ①RED: + input 红色: +激励
- ②GREEN: - input 绿色: -激励
- ③WHITE: -output 白色: -信号
- ④YELLOW: +output 黄色: +信号

- ①RED: + input 红色: +激励
- ②YELLOW: +output 黄色: +信号
- ③GREEN/WHITE: - input/-output



Specification

技术参数

Model	型号	TF07
Capacity	量程	0 ~ 5T
Rated Output	输出灵敏度	2.0 ± 0.005mV/V
Zero Balance	零点平衡	± 1%F. S
Creep after 30 minutes	蠕变	± 0.03%F. S
Nonlinearity	非线性	± 0.03%F. S
Hysteresis	滞后	± 0.03%F. S
Repeatability	重复性	± 0.03%F. S
Temperature effect on output	灵敏度温漂	≤ 0.002%F. S/°C
Temperature effect on zero	零点温漂	≤ 0.002%F. S/°C
Safe Temperature Range	工作温度范围	-10 °C ~ +70 °C
Temperature Compensated	温度补偿范围	-10 °C ~ +40 °C
Safe Overload	安全载荷	150%F. S
Input Impedance	输入阻抗	405 Ω ± 20 Ω
Output Impedance	输出阻抗	350 Ω ± 3 Ω
Insulation Resistance	绝缘阻抗	≥ 5000 M Ω (50VDC)
Rated Excitation	推荐激励电压	5 ~ 15VDC
Amplifier power supply	变送器供电	24VDC
The output of the amplifier	变送输出	4 ~ 20mA 或 0 ~ 10VDC
Protection grade	防护等级	IP66
Cable Color code	导线颜色	Red (+E) Green (-E) Yellow (+S) White (-S)