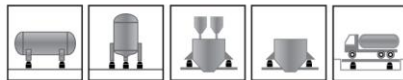
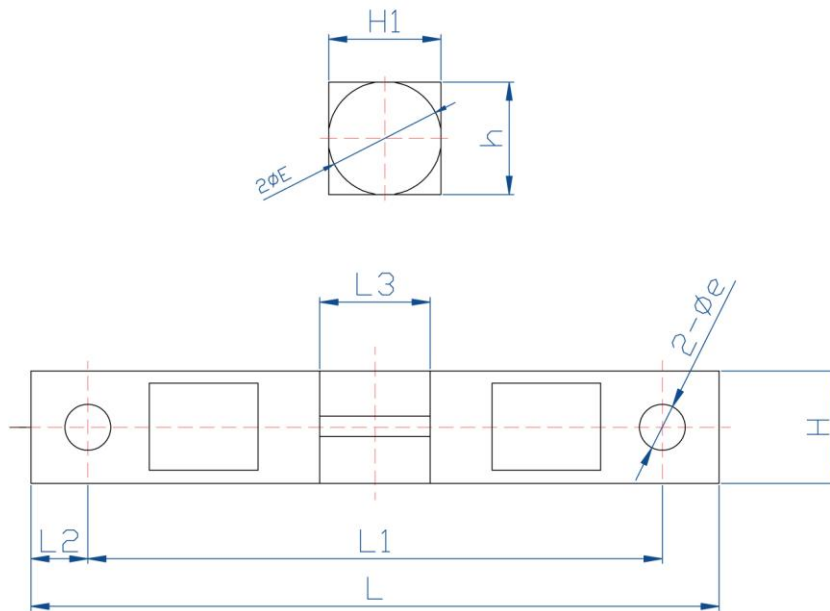


- Double ended shear beam load cell
- Senior alloy steel
- High accuracy
- High stability
- Easy to install
- Protected against corrosion by nickelplated treatment
- Suitable for warehouse & inventory scales and batching systems, etc.
- 双剪切梁式
- 优质合金钢材质
- 高精度
- 高稳定性
- 安装简便、快速
- 表层镀镍防腐处理
- 适用于仓储秤和配料秤等



## Dimensions 尺寸



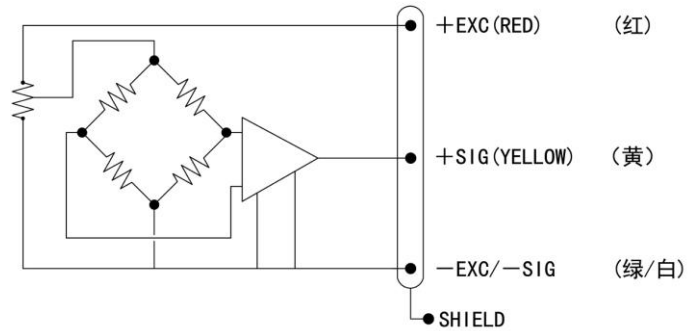
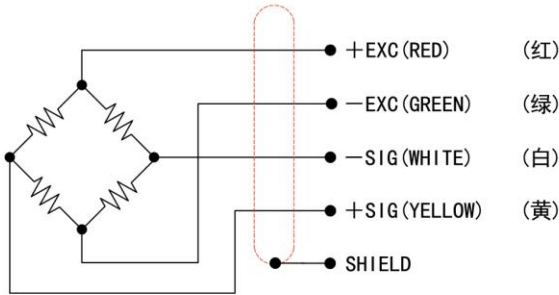
Capacity/ 量程	L	L1	L2	L3	h	H	H1	E	e
1T ~ 5T	190	159	16	30	30	17	31	32	13
10T ~ 35T	222	190	16	41	50	25	36	51	51
50T ~ 75T	343	292	25	83	75	37	62	76	33

# Schematic

接线方式

- ①RED: +input      红色: +激励
- ②GREEN: -input    绿色: -激励
- ③WHITE: -output    白色: -信号
- ④YELLOW: +output    黄色: +信号

- ①RED: +input      红色: +激励
- ②YELLOW: +output    黄色: +信号
- ③GREEN/WHITE: -input/-output



# Specification

技术参数

Model	型号	TQ04
Capacity	量程	0 ~ 75T
Rated Output	输出灵敏度	2.0 ± 0.005mV/V
Zero Balance	零点平衡	± 1%F.S
Creep after 30 minutes	蠕变	±0.03%F.S
Nonlinearity	非线性	±0.03%F.S
Hysteresis	滞后	±0.03%F.S
Repeatability	重复性	±0.03%F.S
Temperature effect on output	灵敏度温漂	≤0.002%F.S/°C
Temperature effect on zero	零点温漂	≤0.002%F.S/°C
Safe Temperature Range	工作温度范围	-10 °C ~ +70 °C
Temperature Compensated	温度补偿范围	-10 °C ~ +40 °C
Safe Overload	安全载荷	150%F.S
Input Impedance	输入阻抗	405Ω ± 20 Ω
Output Impedance	输出阻抗	350Ω ± 3 Ω
Insulation Resisance	绝缘阻抗	≥5000 MΩ ( 50VDC )
Rated Excitation	推荐激励电压	5 ~ 15VDC
Amplifier power supply	变送器供电	24VDC
The output of the amplifier	变送输出	4 ~ 20mA 或 0 ~ 10VDC
Protection grade	防护等级	IP66
Cable Color code	导线颜色	Red(+E) Green(-E) Yellow(+S) White (-S)